



→ Tail lift for factory built panel vans

DH-LC.15 • 1000 - 1500 kg



The DH-LC.15 offers 1500 kg lift capacity for the **higher capacity factory built panel vans** from 4.5 up to 7.5T GVW (e.g. Mercedes Vario, Iveco Daily,...).

The passage from the platform to the vehicle floor is realised by an articulated bridge plate, available as option on this lift (OAM008).

The lift concept has been engineered to maximize the ground clearance under the lift and to reduce the cut-outs in the rear cross member of the vehicle floor to a negligible minimum.

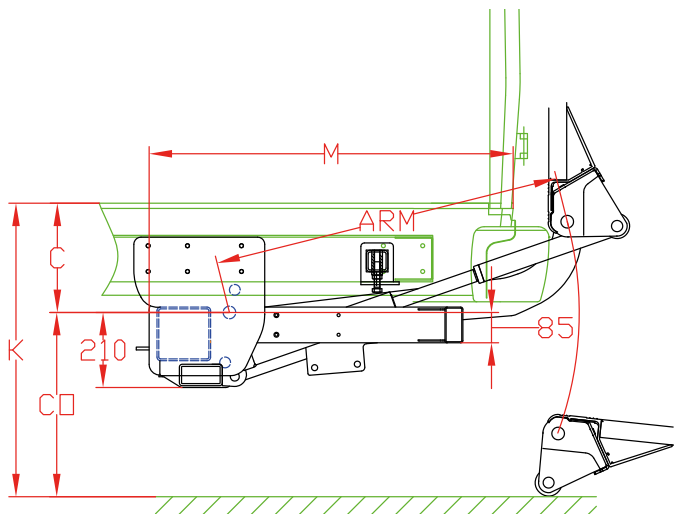
Lift capacity

CAP	CG	LM
1000 kg	600 mm	6 kNm
1500 kg	600 mm	9 kNm

Weights [see pg. 15]

ALU platform	
1250 mm	330 kg
1450 mm	337 kg
1600 mm	342 kg

For the trucks among the factory built panel vans



Fitting dimensions

ARM	980
K max.	1500
C max.	850
C min.	300
CO max.	650
M at C max.	650
M at C min.	1015

Technical specifications

Lift frame	150 x 150 mm
Cylinders	1 lift cylinder + 2 tilt cylinders
Type of ride [see pg. 8-9]	Wedged platform. Level ride + automatic tilt at ground level
Platform material	Light-weight aluminium
Standard platform depths	Alu: 1250 - 1450 - 1600 mm Longer platforms on request (OAP302.A)
Standard platform widths	Free up to 1600 in steps of 5 mm
Lift arm lengths	980 mm
Lift arm widths	500 mm
Standard control unit [see pg. 11]	OAE031.Z
Standard finish of the lift frame	Protection PLUS [OAT102]

Special mounting brackets are available for:

- Mercedes Vario