



→ Cantilever lift for light commercial vehicles

DH-LM.10 • 500 - 1000 kg



The **4-cylinder** DH-LM.10 is DHOLLANDIA's **best seller** in the light capacity lift range. Thanks to its **superior stability** and performance in comparison to competing 2-cylinder lifts and its competitive pricing, it offers an **excellent price-quality ratio**.

The DH-LM.10 is ideal for general purpose work and distribution transport up to 1000 kg useful capacity. It is available with universal bolt-on mounting plates to suit regular chassis, or with brand-specific quick-fit mounting plates (depending on chassis type, wheel base and overhang). It suits most commercial vans and light-duty trucks up to 7.5T GVW, as well as small trailers and semi-trailers.

Lift capacity

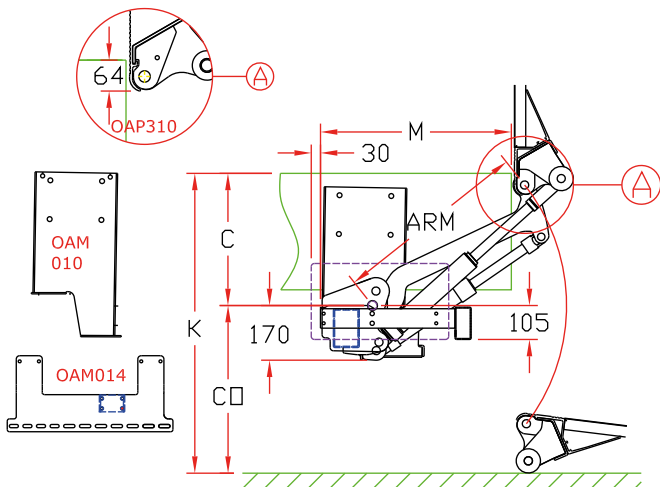
CAP	CG	LM
500 kg	600 mm	3 kNm
750 kg	750 mm	5.6 kNm
1000 kg	750 mm	7.5 kNm

Weights [see pg. 15]

ALU platform	
1250 mm	205 kg
1450 mm	213 kg
1600 mm	219 kg
1800 mm	229 kg

Weights incl. CE bumper

Best seller: superior stability and performance



Fitting dimensions

ARM		650	750	850 (*)
K max.		1080	1220	1370
C max.		530	610	690
C min.		250	300	350
CO max.		550	610	680
M	at C max.	510	570	660
M	at C min.	740	715	910

(*) 850 arms optional. Preferably use DH-LM.15. Consult DHOLLANDIA for the optimum solution.



Technical specifications

Lift frame	120 x 120 mm
Cylinders	2 lift cylinders + 2 tilt cylinders
Type of ride [see pg. 8-9]	Wedged platform. Level ride + automatic tilt at ground level
Platform material	Alu or steel (steel = 1000 kg only)
Platform overlap under floor	-64 mm
Standard platform depths	Steel: 1250-1500 mm (max. 1500) Alu: 1250-1450-1600-1800 mm (max. 2000)
Standard platform widths	Steel: 2350-2480-2500-2520-2550 mm Alu: free up to 2550 in steps of 5 mm
Lift arm lengths	650 - 750 - (850) mm
Lift arm widths	510 - 660 - 1200 mm
Standard control unit [see pg. 11]	OAE039.BP
Standard finish of the lift frame	Protection PLUS [OAT102] or Hot-dip zinc plated finish [OAT104]