



→ Cantilever lift for trucks, trailers and semi-trailers

DH-LM.15 • 1000 - 1500 kg



The DH-LM.15 was launched in 2012 as missing link between the 1000 and 2000 kg capacity lifts. Since then, it has become extremely popular as **ideal weight saving lift for medium capacity trucks** of 7,5T to 12T GVW.

It is considerably lighter and requires less overhang than the DH-LM.20; yet it is stronger and more robust than the DH-LM.10. It is recommended to use the DH-LM.15 instead of DH-LM.10 / LMQ.10 with 850 mm long lift arms and for 1000 kg lifts with platform depth above 1600 mm.

The mounting plates are bolt-on and fully adjustable in width.

Lift capacity

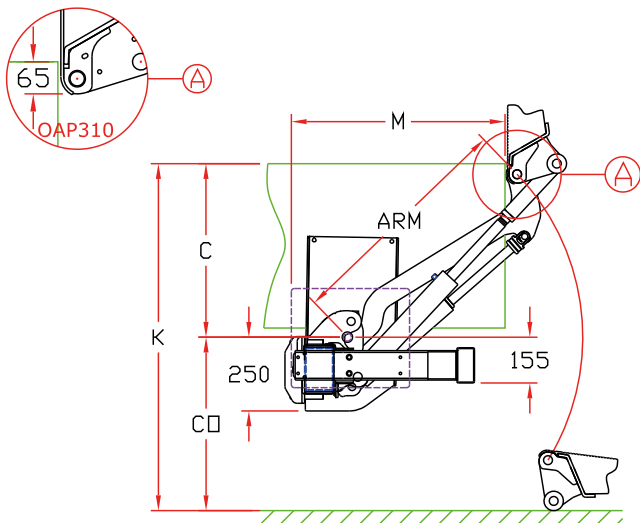
CAP	CG	LM
1000 kg	750 mm	7.5 kNm
1500 kg	750 mm	11.25 kNm

Weights [see pg. 15]

STEEL platform		ALU platform 1000 kg	
1500 mm	425 kg	1600 mm	295 kg
1750 mm	470 kg	1800 mm	306 kg

Weights incl. CE bumper

Light weight transition model between LM.10 and LM.20



Fitting dimensions

ARM		720	800	880	960 (*)
K max.		1190	1295	1400	1460
C max.		605	665	720	750
C min.		300	350	400	450
CO max.		585	630	680	710
M	at C max.	590	650	705	790
M	at C min.	820	885	950	1020

(*) Arm 960 mm on special request.



Technical specifications

Lift frame	100 x 150 mm
Cylinders	2 lift cylinders + 2 tilt cylinders
Type of ride [see pg. 8-9]	Wedged platform. Level ride + automatic tilt at ground level
Platform material	Aluminium or steel
Platform overlap under floor	-65 mm
Standard platform depths	Steel: 1500 - 1750 mm (max. 2000) Alu: 1600 - 1800 mm (max. 2000)
Standard platform widths	Steel: 2350 - 2480 - 2500 - 2520 - 2550 mm Alu: free up to 2550 in steps of 5 mm
Lift arm lengths	780 - 800 - 880 mm
Lift arm widths CA	1150-1300 mm (...-2014) 1200 mm (2015-...)
Standard control unit [see pg. 11]	OAE039.BP
Standard finish of the lift frame	Hot-dip zinc plated finish [OAT104]