



→ Slider lift for vans and light trucks

DH-SC.05 • 500 kg



The DH-SC.05 is the **heavy-duty** version of the **CITY SLIDER lift** and is usually mounted on van chassis and light commercial trucks.

In its travel position, the platform is safely stored underneath the chassis of the vehicle and the driver has free access to the cargo space inside the vehicle.

In its work position, the platform offers sufficient work surface to manipulate roll-cages, white and brown goods, parcels, etc...

In comparison, the DH-SC.05 is heavier duty than the .04 version (see previous page) and is equipped with **hydraulic instead of manual retraction**.

Lift capacity

CAP	CG	LM
500 kg	500 mm	2.5 kNm

Weights [see pg. 15]

ALU / ALU platform	
1400x860 mm	210 kg
1400x1100 mm	215 kg

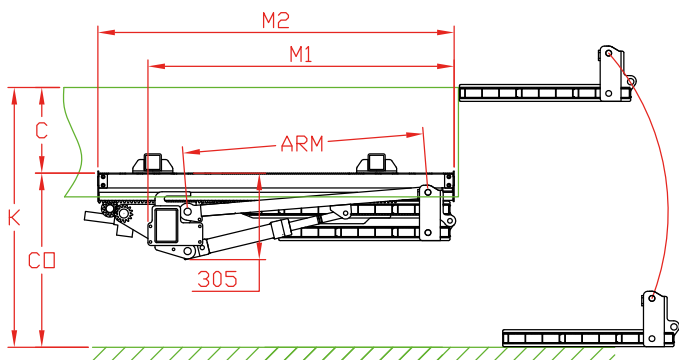
Weights incl. CE bumper (option OAF150)

City Slider lift with hydraulic retraction



Fitting dimensions

ARM	850
K max.	1200
C max.	400
CO max.	800
M1	1080
M2	1260



Technical specifications

Lift frame	120 x 80 mm
Cylinders	2 lift cylinders + 2 fixed stabilisers
Retraction IN / OUT	Hydromotor + gear wheel system
Type of ride [see pg. 8-9]	Flat platform, level ride
Platform material	Steel frame + aluminium profiles
Standard platform depths	1400 mm Other platform depths on request
Standard platform widths	860 - 1100 mm
Lift arm lengths	850 mm
Lift arm widths	1060 mm (platform width 860) 1300 mm (platform width 1100)
Standard control unit [see pg. 11]	OAE030.BT
Standard finish of the lift frame	Protection PLUS [OAT102]