



→ Cantilever lift for short overhang

DH-LMP.20 • 1500 - 2000 kg



The DH-LMP.20 is equipped with a **compact lift frame**, that requires 100 mm less overhang than the standard model DH-LM.20. It is specially adapted to suit trucks, trailers and semi-trailers with a **very short overhang** behind the rear axle or the spring hangers on the vehicle chassis (e.g. military trucks, city-trailers with rear steering axle,...)

This compact 4-cylinder lift is available with reinforced steel platforms or light-weight aluminium platforms up to 2250 mm.

Lift capacity

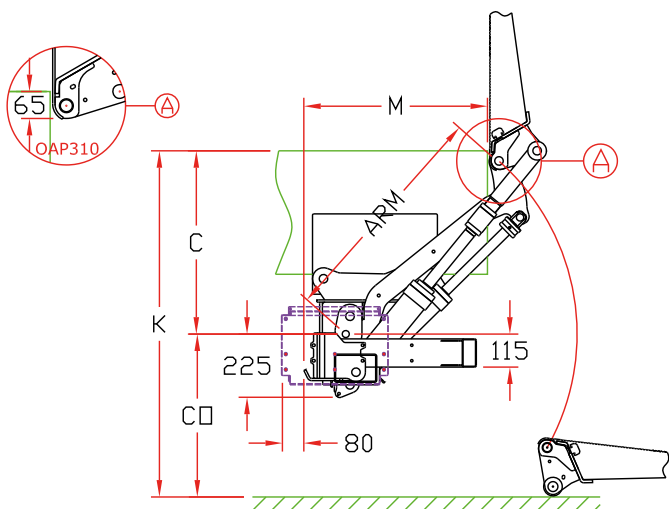
CAP	CG	LM
1500 kg	750 mm	11.25 kNm
2000 kg	750 mm	15 kNm

Weights [see pg. 15]

STEEL platform		ALU platform	
1500 mm	490 kg	1600 mm	400 kg
1750 mm	540 kg	1800 mm	415 kg
2000 mm	585 kg	2000 mm	430 kg

Weights incl. CE bumper

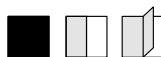
Cantilever lift for short overhangs



Fitting dimensions

ARM		820	880	940	1000	1100
K max.		1305	1390	1490	1560	1725
C max.		675	720	770	815	895
C min.		300	350	400	400	450
CO max.		630	670	720	745	830
M	at C max.	630	670	700	740	800
M	at C min.	890	935	980	1050	1130

Technical specifications



Lift frame	Compact frame for very short overhang
Cylinders	2 lift cylinders + 2 tilt cylinders
Type of ride [see pg. 8-9]	Wedged platform. Level ride + automatic tilt at ground level
Platform material	Aluminium or steel
Platform overlap under floor	-65 mm
Standard platform depths	Steel: 1500 - 1750 - 2000 mm (max. 2100) Alu: 1600 - 1800 - 2000 mm (max. 2100)
Standard platform widths	Steel: 2350 - 2480 - 2500 - 2520 - 2550 mm Alu: free up to 2550 in steps of 5 mm
Lift arm lengths	820 - 880 - 940 - 1000 - 1100 mm
Lift arm widths	1150 - 1300 - 1550 mm
Standard control unit [see pg. 11]	OAE030.BT
Standard finish of the lift frame	Protection PLUS [OAT102]