



→ Lift for vans, trucks, trailers and semi-trailers

DH-P2.07 • 750 kg



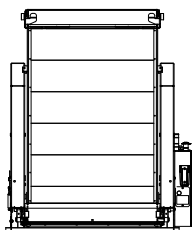
The DH-P2.07 is the **heavy-duty execution** of the DHOLLANDIA range of internally mounted lifts. It offers:

- a more powerful lift mechanism with **500-750 kg** lift capacity (subject to vehicle restrictions. Ask our advice)
- **larger platforms** up to 1600 mm long and 920 mm wide
- **increased lifting height** up to 1150 mm.

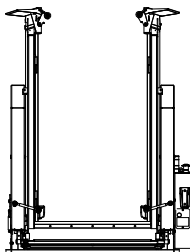
Hence, the DH-P2.07 is not only designed for factory built panel vans, but also suits larger trucks, trailers and semi-trailers.

The heavy duty linear lift is available in 2 executions: a standard full-closure platform; and a vertical split platform (option OWU001).

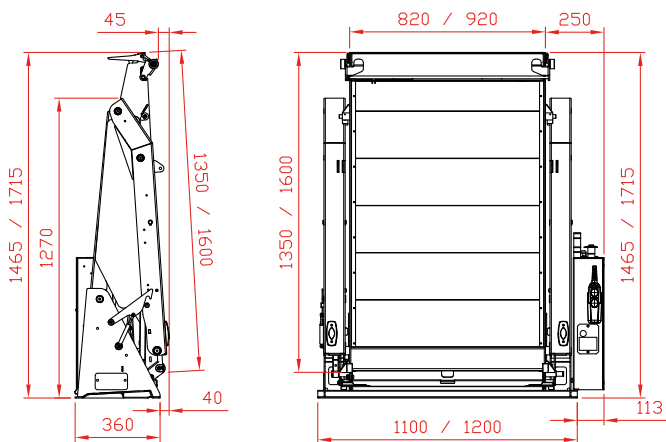
Standard



Option OWU001



Heavy duty 750 kg internally mounted linear 2-arm lift



Lift capacity

CAP	750 kg
CG	500 mm
LM	3.75 kNm

Weights [see pg. 15]

Alu platform	
1350 x 820	180 kg
1600 x 920	190 kg
OWU001	+15 kg

Fitting dimensions

ARM	800
K max.	1150

Technical specifications

Lift frame	Reinforced lift frame with 2 lift arms
Cylinders	2 lift cylinders
Type of ride [see pg. 8-9]	Flat platform, level ride
Platform material	Steel frame + aluminium profiles
Platform equipment	<ul style="list-style-type: none"> Automatic roll-stop at the rear edge of the platform Automatic bridge plate and toe-guard at the front edge of the platform
Standard platform depths	1350 - 1600 mm Other depths on request (OWP002.L)
Standard platform widths	820 standard / 920 optional (OWP002.W)
Standard control unit [see pg. 10]	OAE001
Standard finish of the lift frame	Protection PLUS [OAT102]